



MICRO SWITCH

FREEPORT, ILLINOIS, U.S.A.
A DIVISION OF HONEYWELL

FED. MFG. CODE 91929

SWITCH-BASIC

CATALOG LISTING

BZ-2RN702

JG07925

FORMTEK
FO-50376

DRAWN
JAN 18 AUG 64

CHECK
DAW 17 SEPT 64

CHECK
RJ 29 AUG 05

CHECK
DAW 15 AUG 94

CHECK
DLT 1 SEP 98

CHECK
SPK 29 AUG 05

RELEASE NO.

REPLACES

PAGE 1 OF 1

BZ-2RN702

DRAWING NUMBER

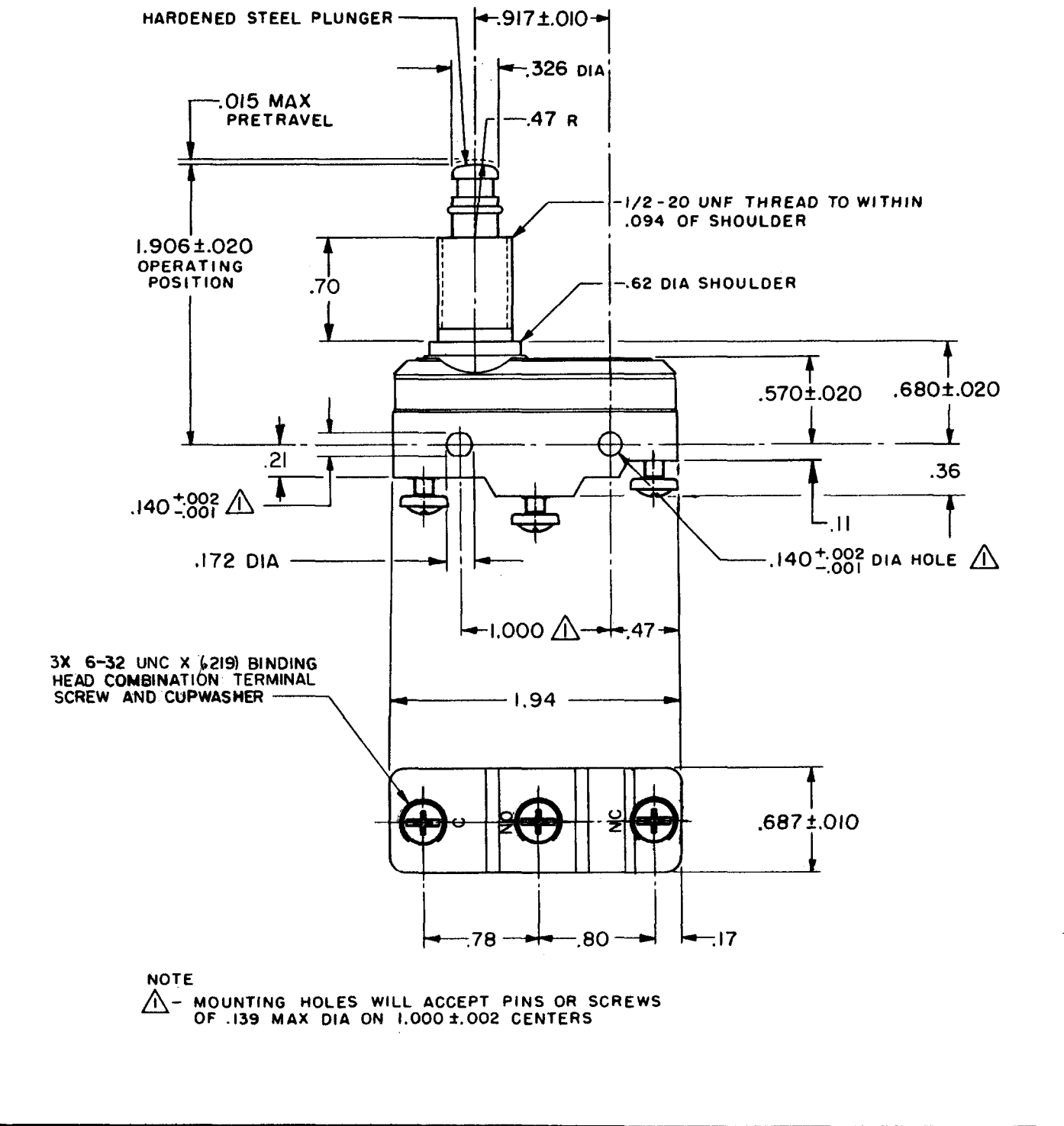
M

ISSUE

X12

REVISIONS

A	CO17410
JAN	18 AUG 64
B	CO28543
OMW	29 JUN 71
C	CO33708
GLH	17 JUN 74
D	CO34355
BEN	4 NOV 74
E	CO36332
RER	5 AUG 76
F	CO36099
P	3 JUN 77
G	CO73267-B
DHD	17 MAY 93
H	CO77592
DAW	15 AUG 94
J	CO93346
DLT	1 SEP 98
K	CO015138



3X 6-32 UNC X (.219) BINDING HEAD COMBINATION TERMINAL SCREW AND CUPWASHER

NOTE
△ - MOUNTING HOLES WILL ACCEPT PINS OR SCREWS OF .139 MAX DIA ON 1.000 ± .002 CENTERS

THIS DRAWING COVERS A PROPRIETARY ITEM AND IS THE PROPERTY OF MICRO SWITCH, A DIVISION OF HONEYWELL. THIS DRAWING IS NOT TO BE COPIED OR USED WITHOUT THE APPROVAL OF MICRO SWITCH.

CHARACTERISTICS	ELECTRICAL DATA	SCALE FULL
OPERATING FORCE ----- 9-13 OZ	CONTACT ARRANGEMENT S P D T	DO NOT SCALE PRINT
RELEASE FORCE ----- 4 OZ MIN	15A - 125, 250 OR 480 VAC, 2A - 600 VAC 1/8HP - 125 VAC; 1/4HP - 250 VAC CODE L74 1/2A - 125 VDC; 1/4A - 250 VDC	UNLESS OTHERWISE NOTED DIMENSIONS ARE IN INCHES
DIFFERENTIAL TRAVEL ----- .0004-.0020	-L288- -L306- -L315-	TOLERANCES ARE: ONE PLACE (.0) ±.030 TWO PLACE (.00) ±.015 THREE PLACE (.000) ±.005 ANGLES ±
OVERTRAVEL ----- .125 MIN	16A 250V ~ T85 5E4	WEIGHT